

Scaled data based on original data using
LM-79-08 Approved Method: Electrical and Photometric Measurements of Solid-State
Lighting Products

Test Report Prepared for
Cooper Lighting Solutions
(formerly Eaton)

Brand: STREETWORKS

Report Number: P571645

Luminaire Tested: **UFLD-CA2-130-740-U-66-TS2_UFLD**

Issue Date: 9/21/2021

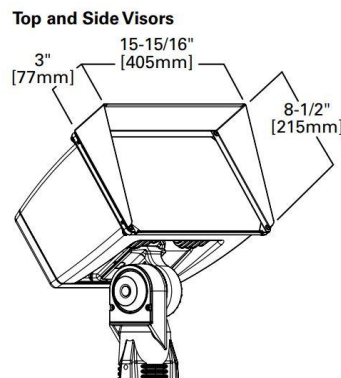
Test Information

Test Method: LM-79-08
Report Number: P571645
TEST IS SCALED FROM IESNA LM-79-08 TEST DATA (G2-2109-378-4)
Test Lab: COOPER LIGHTING SOLUTIONS
Issue Date: 9/21/2021
Manufacturer: COOPER LIGHTING SOLUTIONS (FORMERLY EATON)
Product Line: STREETWORKS
Catalog Number: UFLD-CA2-130-740-U-66-TS2_UFLD
Description: FLOOD LIGHT, 6x6 OPTIC WITH TOP AND SIDE VISOR
Light Source: (2) 4000K CCT, 70 CRI LEDS
Ballast/Driver: -

Summary

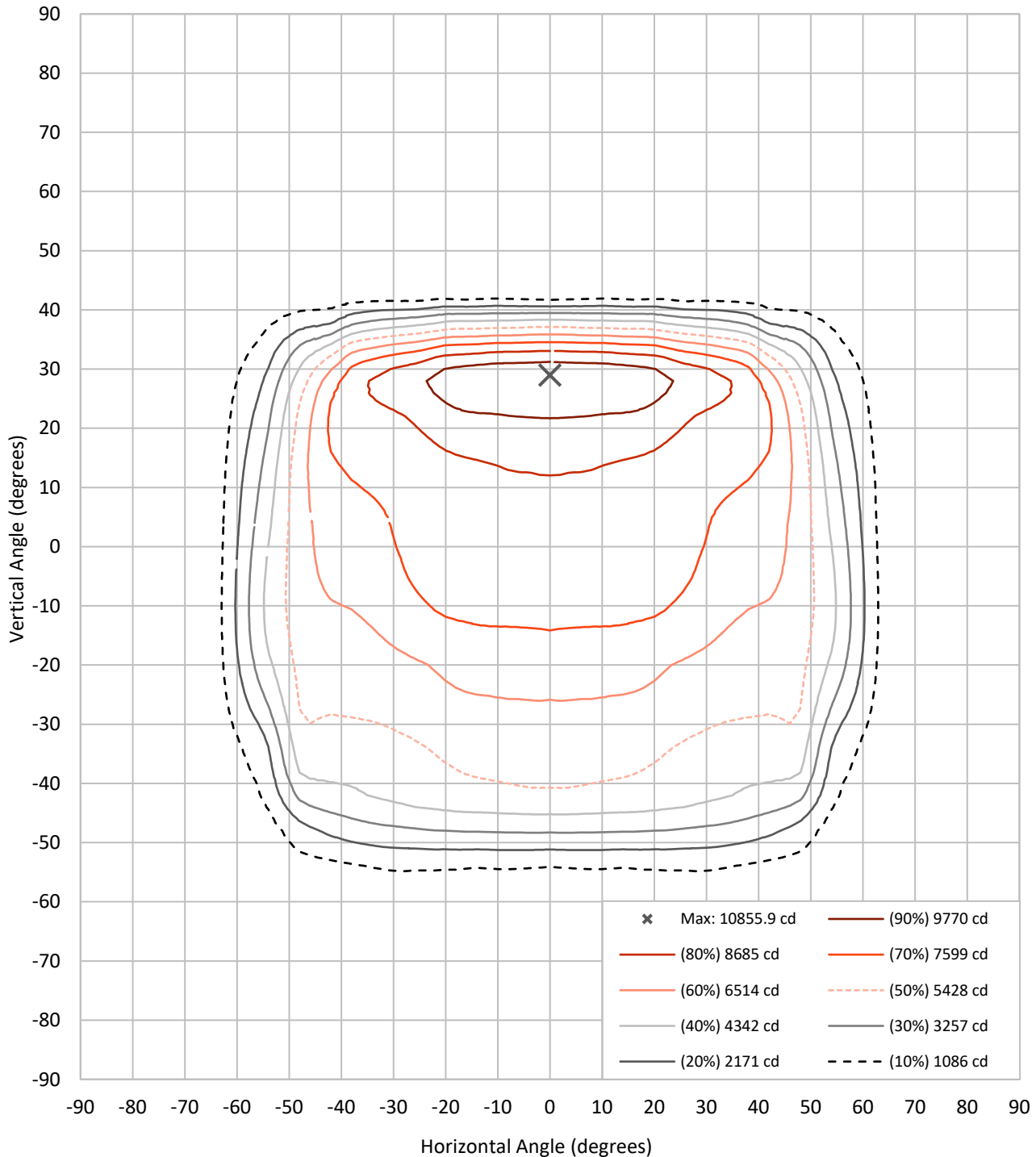
Lumens per Lamp:	N/A	NEMA Type:	6H x 5V
Luminaire Lumens:	17942 lumens	Max Intensity:	10855.9 candela
Efficiency:	N/A	Max Intensity Angle:	0°H x 29°V
Efficacy:	135.2 lumens/watt		
Luminous Opening:	Rectangular (W 1.25' x L: 0.67' x H: 0')		
Beam Angle (50%):	91.9°H x 77.9°V	Field Angle (10%):	119.5°H x 95.8°V
Beam Lumens:	13813 lumens	Field Lumens:	17483.8 lumens
Beam Efficiency:	77.0%	Field Efficiency:	97.4%

Input Watts (W): 132.7
Input Voltage (V): 120
Input Current (Ain): NR
Voltage Rise (V): NR
Power Factor: NR
Total Harmonic Distortion (THDi): NR
Frequency (hertz): 60
Stabilization Time: NR
Operation Time: NR
Ambient Temperature (°C): NR
Test Distance: 25 FT



REPORT NUMBER: P571645
CATALOG NUMBER: UFLD-CA2-130-740-U-66-TS2_UFLD

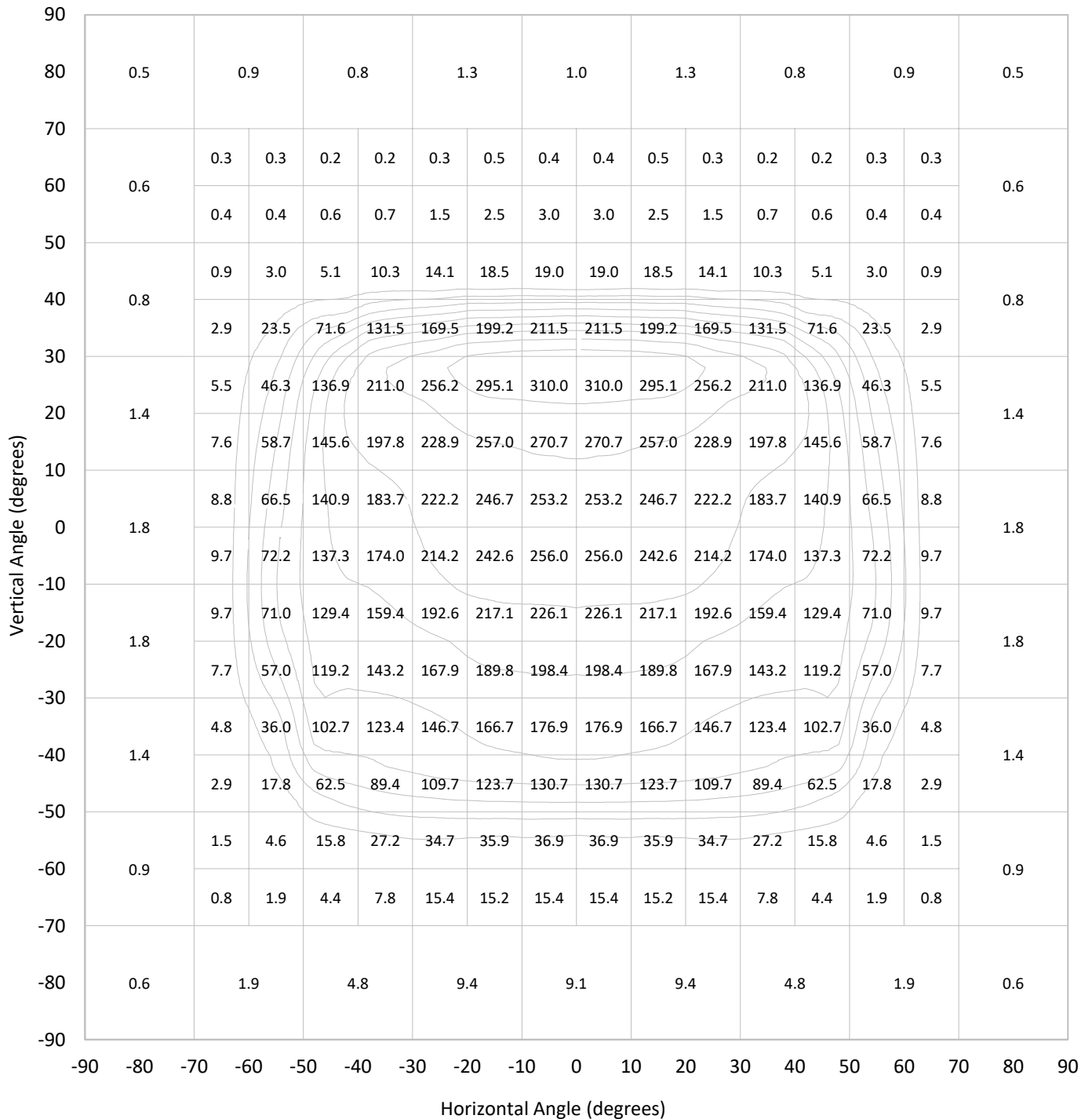
Iso-Candela Plot





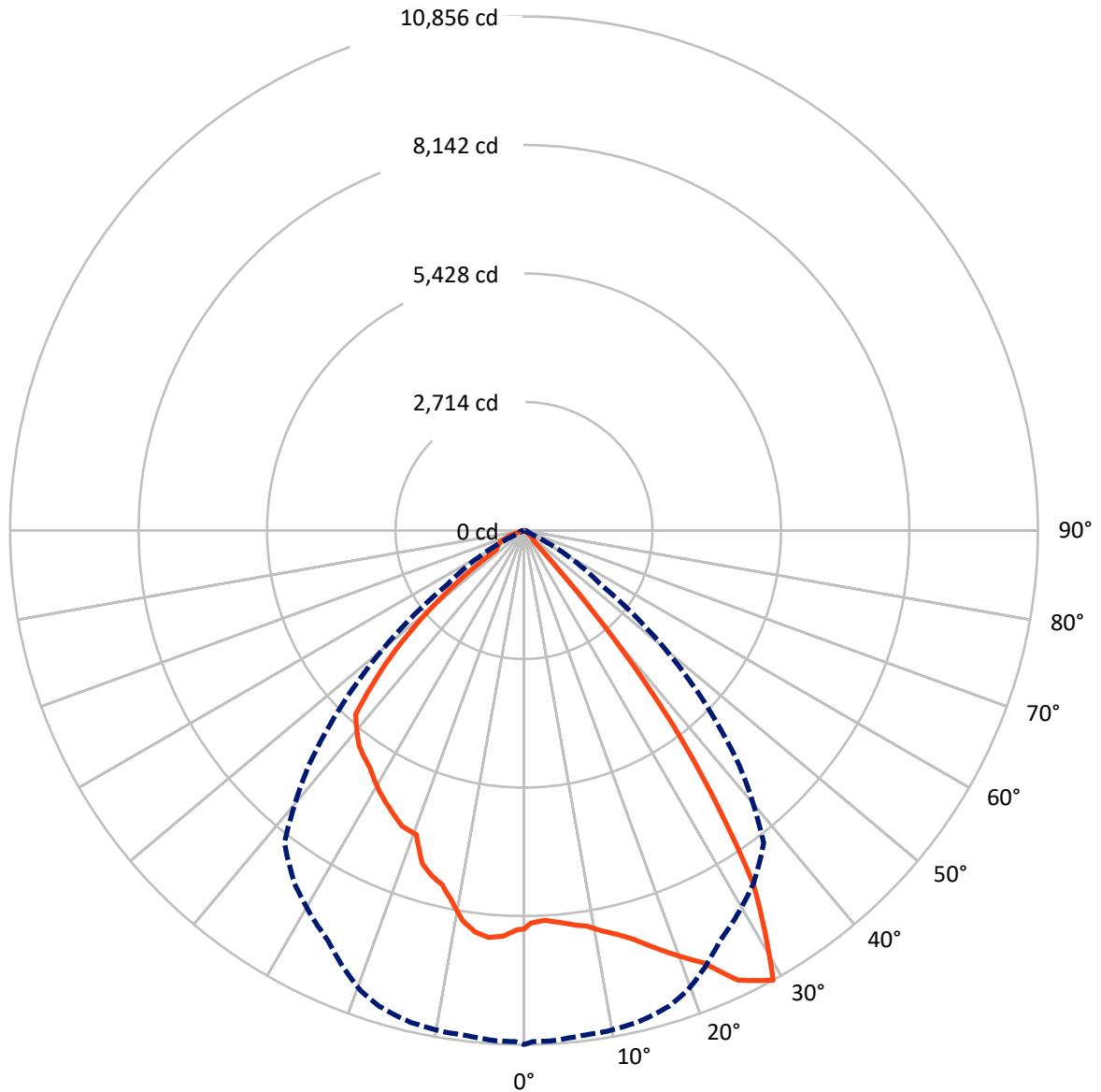
REPORT NUMBER: P571645
 CATALOG NUMBER: UFLD-CA2-130-740-U-66-TS2_UFLD

Lumen Table



REPORT NUMBER: P571645
CATALOG NUMBER: UFLD-CA2-130-740-U-66-TS2_UFLD

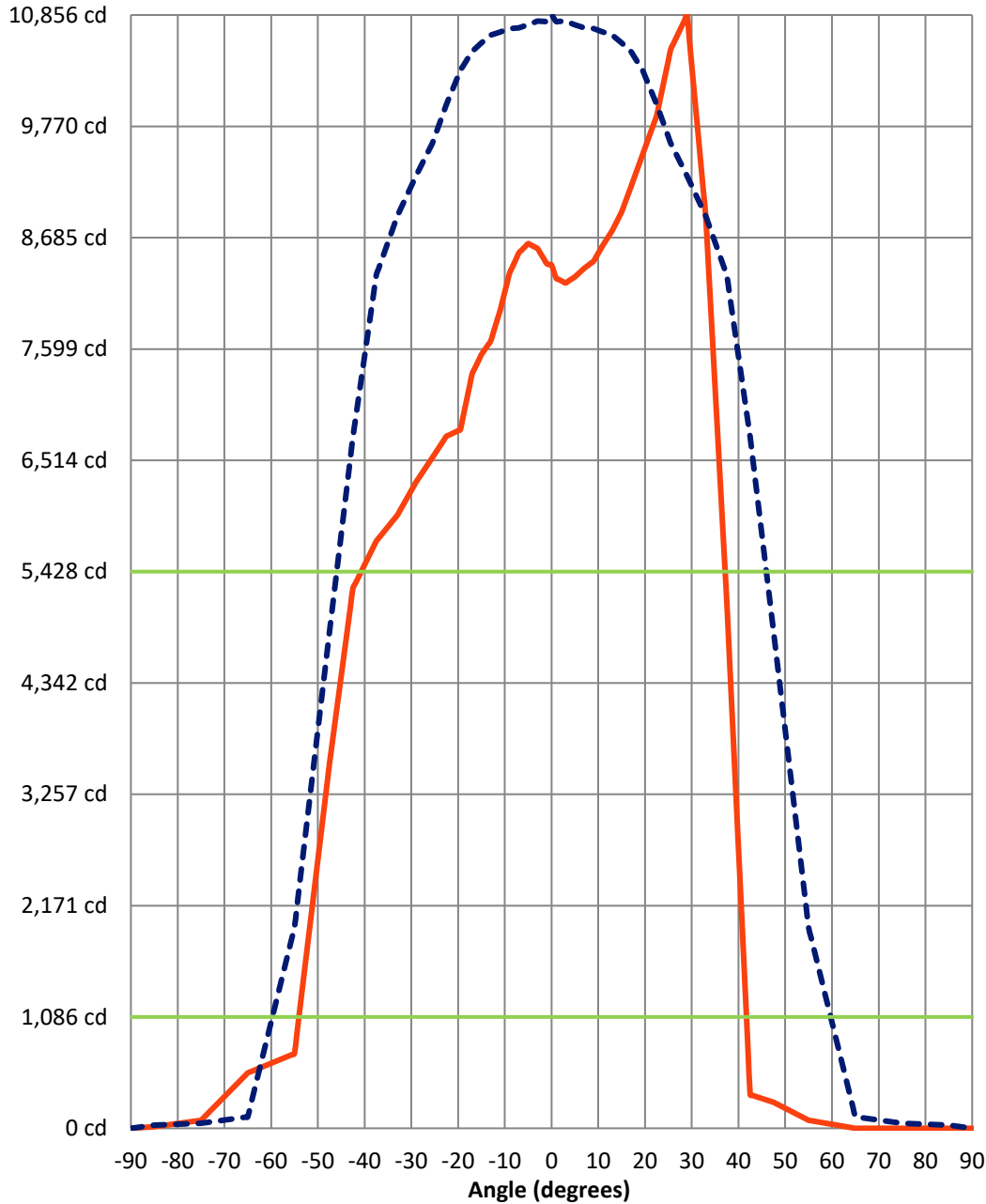
Luminous Intensity Polar Plot



— Vertical Distribution Through 0-Deg - - - Horizontal Distribution Through 29-Deg

REPORT NUMBER: P571645
 CATALOG NUMBER: UFLD-CA2-130-740-U-66-TS2_UFLD

Luminous Intensity Plot



Beam:
 H Angle: 91.9°
 V Angle: 77.9°
 Lumens: 13813
 Efficiency: 77.0%

Field:
 H Angle: 119.5°
 V Angle: 95.8°
 Lumens: 17483.8
 Efficiency: 97.4%

Spill:
 Lumens: 458.2
 Efficiency: 2.6%

- Vertical Distribution through 0-Deg
- - - Horizontal Distribution through 29-Deg



REPORT NUMBER: P571645
 CATALOG NUMBER: UFLD-CA2-130-740-U-66-TS2_UFLD

FIELD
 BEAM

CANDELA DISTRIBUTION:

	0°	1°	3°	5°	7°	9°	11°	13°	15°	17°	19.5°
90°	0.0	0.0	0.0	0.0	0.0	0.0	0.0	0.0	0.0	0.0	0.0
85°	0.0	4.9	12.2	15.5	16.3	18.0	18.0	19.6	19.6	18.8	18.0
75°	0.0	1.6	4.9	7.3	9.0	10.6	11.4	11.4	11.4	10.6	10.6
65°	0.0	0.8	3.3	4.9	6.5	7.3	7.3	8.2	8.2	8.2	7.3
55°	78.4	80.8	79.2	78.4	78.4	76.7	73.5	68.6	62.9	63.7	59.6
47.5°	253.9	251.5	252.3	250.7	248.2	240.9	236.8	233.5	231.1	230.2	219.6
42.5°	328.2	338.8	369.9	436.0	506.2	581.3	585.4	528.3	458.9	382.9	533.2
37.5°	5134.8	5214.0	5109.5	5081.7	4943.8	4973.2	4948.7	4871.1	4865.4	4909.5	4855.6
33°	8888.2	8917.6	8862.8	8848.2	8819.6	8819.6	8788.5	8649.7	8549.3	8487.3	8467.7
29°	10855.9	10792.2	10796.3	10760.3	10730.9	10723.6	10690.1	10659.9	10584.0	10499.9	10316.2
25.5°	10521.1	10488.5	10504.0	10444.4	10433.7	10389.7	10393.7	10352.9	10297.4	10210.0	10014.1
22.5°	9875.3	9879.4	9876.9	9845.9	9834.5	9794.4	9746.3	9737.3	9732.4	9668.7	9525.8
19.5°	9497.2	9457.2	9443.4	9463.8	9429.5	9378.9	9324.2	9287.4	9243.3	9225.4	9172.3
17°	9182.1	9139.6	9158.4	9129.0	9106.2	9040.0	8982.1	8932.2	8909.4	8877.5	8800.0
15°	8935.5	8902.0	8896.3	8874.3	8891.4	8810.6	8776.3	8733.8	8687.3	8640.8	8577.9
13°	8755.1	8763.2	8749.4	8691.4	8717.5	8653.0	8610.6	8556.7	8517.5	8475.0	8439.9
11°	8611.4	8622.0	8566.5	8564.0	8576.3	8492.2	8479.9	8417.1	8395.0	8399.1	8305.2
9°	8455.4	8479.1	8498.7	8472.6	8453.8	8420.3	8400.7	8377.9	8336.2	8342.8	8319.1
7°	8386.0	8366.4	8361.5	8399.1	8369.7	8337.9	8304.4	8316.6	8324.8	8347.7	8319.1
5°	8302.7	8314.2	8321.5	8298.7	8294.6	8306.8	8285.6	8310.1	8317.4	8480.7	8531.4
3°	8243.1	8285.6	8263.6	8235.8	8255.4	8274.2	8318.3	8322.3	8401.5	8497.1	8524.8
1°	8288.9	8319.1	8321.5	8321.5	8341.1	8401.5	8406.4	8430.9	8488.9	8528.9	8551.0
0°	8417.1	8398.3	8409.7	8392.6	8439.9	8470.9	8475.0	8455.4	8497.9	8633.4	8633.4
-1°	8430.1	8438.3	8471.8	8480.7	8468.5	8506.9	8447.3	8452.2	8472.6	8552.6	8477.5
-3°	8579.5	8582.0	8577.9	8581.2	8561.6	8551.0	8509.3	8475.8	8427.7	8351.7	8288.0
-5°	8626.9	8632.6	8611.4	8601.6	8557.5	8486.5	8464.4	8407.3	8328.9	8244.0	8182.7
-7°	8535.4	8537.1	8468.5	8487.3	8414.6	8333.0	8276.6	8197.4	8141.1	8058.6	7997.4
-9°	8336.2	8306.8	8259.5	8244.8	8176.2	8075.8	7999.0	7939.4	7910.8	7862.7	7876.5
-11°	7975.3	7951.7	7954.1	7914.1	7861.8	7817.8	7780.2	7755.7	7738.6	7718.1	7688.8
-13°	7678.1	7665.9	7625.1	7637.3	7611.2	7620.2	7628.3	7618.5	7598.1	7571.2	7528.7
-15°	7545.1	7535.3	7517.3	7503.4	7501.0	7501.0	7497.7	7493.6	7475.7	7408.7	7343.4
-17°	7354.8	7330.3	7328.7	7324.6	7315.6	7320.5	7310.7	7293.6	7288.7	7243.8	7180.1
-19.5°	6813.5	6825.7	6824.1	6842.1	6822.5	6855.9	6868.2	6869.0	6843.7	6815.1	6762.1
-22.5°	6747.4	6709.8	6714.7	6725.3	6706.5	6699.2	6695.9	6699.2	6673.9	6640.4	6554.7
-25.5°	6540.0	6554.7	6555.5	6534.3	6537.5	6540.8	6502.4	6500.0	6474.7	6437.9	6344.8
-29°	6300.7	6309.7	6289.3	6290.9	6256.7	6242.0	6197.1	6170.9	6129.3	6104.8	6014.2
-33°	5978.2	5998.6	5979.9	5974.2	5940.7	5914.6	5877.0	5858.2	5792.1	5732.5	5664.7
-37.5°	5725.1	5702.3	5696.6	5708.0	5663.9	5649.2	5613.3	5582.2	5535.7	5477.7	5392.0
-42.5°	5264.6	5294.0	5283.4	5249.9	5231.2	5175.6	5153.6	5125.8	5107.9	5098.9	5001.7
-47.5°	3559.0	3574.5	3569.6	3558.2	3546.0	3541.1	3517.4	3498.6	3494.5	3479.8	3433.3
-55°	728.3	747.1	761.0	795.2	809.9	831.2	811.6	774.8	768.3	845.1	838.5
-65°	539.7	537.2	534.8	532.3	528.3	526.6	530.7	534.0	531.5	542.1	563.4
-75°	77.6	76.7	79.2	80.0	74.3	74.3	86.5	84.1	87.4	87.4	88.2
-85°	15.5	13.9	15.5	22.9	23.7	26.9	29.4	31.8	32.7	32.7	32.7
-90°	0.0	0.0	0.0	0.0	0.0	0.0	0.0	0.0	0.0	0.0	0.0



REPORT NUMBER: P571645
 CATALOG NUMBER: UFLD-CA2-130-740-U-66-TS2_UFLD

CANDELA DISTRIBUTION (continued):

	22.5°	25.5°	29°	33°	37.5°	42.5°	47.5°	55°	65°	75°	85°
90°	0.0	0.0	0.0	0.0	0.0	0.0	0.0	0.0	0.0	0.0	0.0
85°	16.3	14.7	13.1	11.4	9.8	10.6	12.2	15.5	22.0	25.3	27.8
75°	9.8	9.0	8.2	8.2	8.2	9.8	11.4	14.7	21.2	24.5	28.6
65°	7.3	6.5	5.7	5.7	5.7	7.3	11.4	15.5	22.0	25.3	28.6
55°	53.9	39.2	22.0	22.9	22.9	23.7	24.5	20.4	25.3	27.8	29.4
47.5°	187.0	132.3	80.0	62.9	62.9	54.7	47.4	35.9	46.5	30.2	29.4
42.5°	524.2	240.0	385.4	412.3	357.6	160.0	210.7	239.2	59.6	34.3	30.2
37.5°	4458.8	4269.4	4014.6	3802.3	3315.7	2092.6	1892.6	832.0	71.0	39.2	30.2
33°	8169.7	7732.0	7518.9	7078.0	6739.2	4932.3	3806.4	1415.8	93.1	44.1	31.0
29°	9983.1	9605.0	9286.6	8895.5	8318.3	6739.2	4845.0	1958.7	111.9	49.0	31.0
25.5°	9712.0	9405.0	9096.4	8807.3	8497.1	7441.4	5484.3	2350.6	129.8	54.7	31.0
22.5°	9249.9	8914.3	8628.5	8458.7	8283.1	7671.6	5825.6	2624.2	147.0	60.4	31.8
19.5°	8898.8	8599.9	8337.9	8164.8	8149.2	7712.4	6015.8	2846.2	167.4	70.2	31.8
17°	8580.3	8334.6	8124.8	8045.6	8084.7	7606.3	6154.6	3029.9	186.2	76.7	31.8
15°	8365.6	8172.1	8002.3	7983.5	7957.4	7486.3	6258.3	3185.9	201.7	80.0	31.8
13°	8268.5	8097.8	7965.5	7947.6	7796.5	7345.0	6314.6	3328.8	213.9	82.5	31.8
11°	8155.0	8041.5	7972.1	7830.0	7618.5	7167.0	6318.7	3452.9	226.2	86.5	31.8
9°	8174.6	8026.8	7916.6	7693.7	7444.6	7077.2	6318.7	3565.6	223.7	89.0	31.8
7°	8183.5	8045.6	7817.8	7558.1	7308.3	6988.2	6335.0	3677.4	213.1	92.3	31.8
5°	8226.0	8026.0	7768.8	7452.0	7196.4	6924.5	6282.0	3791.7	209.0	94.7	31.8
3°	8228.4	8024.3	7748.4	7346.7	7118.0	6864.1	6275.4	3889.7	208.2	95.5	32.7
1°	8230.9	8016.2	7684.7	7242.1	7051.1	6833.9	6266.5	3999.1	210.7	95.5	32.7
0°	8218.6	7979.4	7657.7	7216.0	7009.4	6811.0	6277.1	4057.1	212.3	93.9	32.7
-1°	8204.8	7929.6	7591.6	7179.3	6977.6	6802.1	6265.6	4114.2	212.3	93.1	32.7
-3°	8102.7	7848.0	7529.5	7145.0	6922.1	6748.2	6223.2	4212.2	218.8	93.1	32.7
-5°	7996.6	7756.5	7463.4	7052.7	6854.3	6682.0	6234.6	4270.2	222.1	93.1	32.7
-7°	7891.2	7640.6	7370.3	7011.9	6754.7	6582.4	6204.4	4345.3	222.9	92.3	32.7
-9°	7719.8	7502.6	7215.2	6862.5	6624.9	6508.9	6193.8	4382.8	224.5	92.3	32.7
-11°	7575.3	7317.3	7057.6	6731.8	6499.1	6387.3	6143.2	4377.9	226.2	91.4	32.7
-13°	7373.6	7143.3	6907.4	6600.4	6391.4	6248.5	6091.7	4348.6	225.3	92.3	32.7
-15°	7191.5	6966.2	6728.6	6487.7	6270.5	6101.5	6015.0	4281.6	225.3	92.3	32.7
-17°	7007.0	6789.0	6566.1	6334.2	6149.7	6015.0	5957.8	4155.0	223.7	91.4	32.7
-19.5°	6593.9	6428.1	6289.3	6162.8	6007.6	5850.1	5868.0	3925.6	218.0	91.4	32.7
-22.5°	6385.7	6216.6	6075.4	5948.0	5825.6	5669.6	5773.3	3577.8	209.0	89.8	32.7
-25.5°	6197.1	6034.6	5889.2	5762.7	5679.4	5583.9	5687.6	3127.1	200.0	88.2	32.7
-29°	5877.8	5743.9	5623.9	5498.1	5431.2	5391.2	5550.4	2524.5	193.5	84.9	31.8
-33°	5522.6	5408.3	5290.8	5120.9	5049.1	5049.9	5227.9	1770.1	189.4	80.0	31.8
-37.5°	5272.8	5146.2	4970.7	4782.9	4651.5	4675.1	4711.1	1384.7	191.9	72.7	31.8
-42.5°	4871.9	4804.1	4591.9	4408.2	4168.1	3924.8	3562.3	1034.5	168.2	60.4	31.8
-47.5°	3406.3	3308.4	3218.5	3116.5	2893.6	2491.1	1904.0	409.1	150.2	47.4	31.8
-55°	889.1	878.5	935.7	860.6	704.6	525.8	458.0	156.8	113.5	40.8	31.8
-65°	612.4	636.0	499.7	332.3	168.2	142.9	222.9	84.9	62.1	35.9	31.0
-75°	85.7	76.7	60.4	63.7	67.0	62.9	57.2	35.1	35.1	32.7	30.2
-85°	31.8	30.2	29.4	28.6	26.9	25.3	25.3	26.1	29.4	31.8	30.2
-90°	0.0	0.0	0.0	0.0	0.0	0.0	0.0	0.0	0.0	0.0	0.0



REPORT NUMBER: P571645
CATALOG NUMBER: UFLD-CA2-130-740-U-66-TS2_UFLD

CANDELA DISTRIBUTION (continued):

	90°
90°	0.0
85°	0.0
75°	0.0
65°	0.0
55°	0.0
47.5°	0.0
42.5°	0.0
37.5°	0.0
33°	0.0
29°	0.0
25.5°	0.0
22.5°	0.0
19.5°	0.0
17°	0.0
15°	0.0
13°	0.0
11°	0.0
9°	0.0
7°	0.0
5°	0.0
3°	0.0
1°	0.0
0°	0.0
-1°	0.0
-3°	0.0
-5°	0.0
-7°	0.0
-9°	0.0
-11°	0.0
-13°	0.0
-15°	0.0
-17°	0.0
-19.5°	0.0
-22.5°	0.0
-25.5°	0.0
-29°	0.0
-33°	0.0
-37.5°	0.0
-42.5°	0.0
-47.5°	0.0
-55°	0.0
-65°	0.0
-75°	0.0
-85°	0.0
-90°	0.0

(END OF REPORT)